

*Our #1 priority is providing you with safe and reliable electric service.*

## Grain Bin Clearance Guidelines

Source: *National Electrical Safety Code (p.114-120)*, American National Standards Institute (ANSI C2-2007).

Fig 234-4(b) Clearance Envelope for Grain Bins Filled by Portable Augers, Conveyors, or Elevators

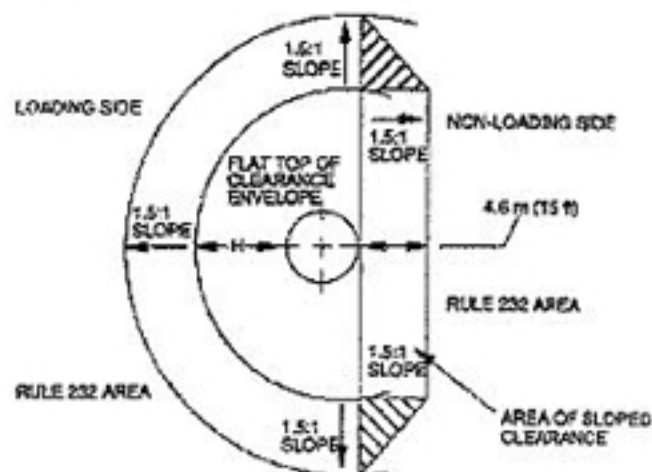
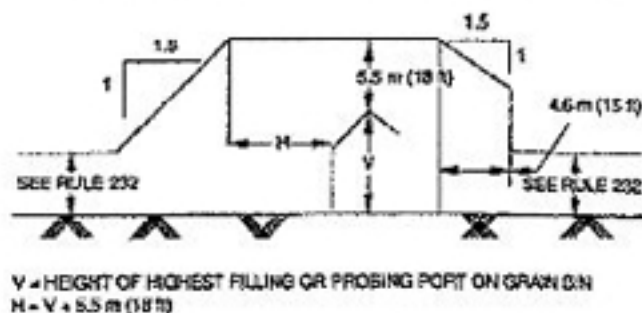
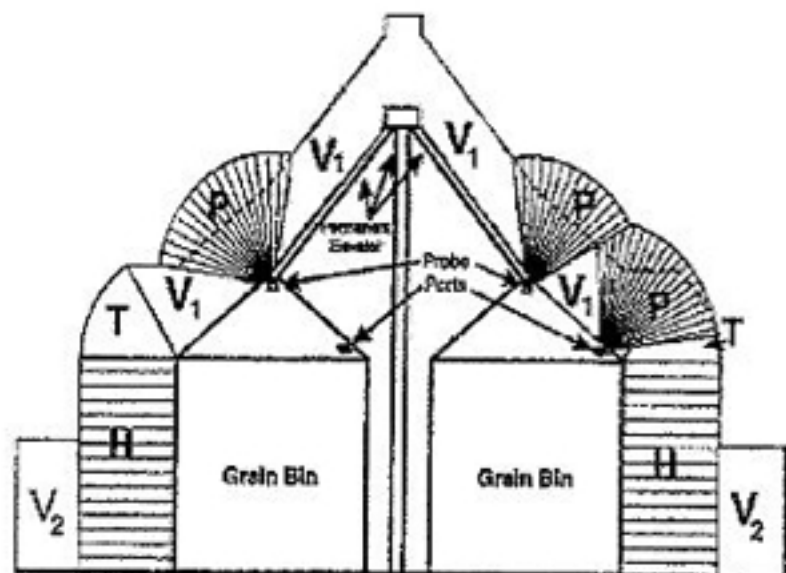


Fig. 234-4(a)  
Clearance Envelope for Grain Bins Filled by Permanently Installed Augers, Conveyors, or Elevators

- $P$  = probe clearance 5.5m (18 ft.)
- $H$  = horizontal clearance 4.6m (15 ft.)
- $T$  = transition clearance
- $V_1$  = vertical clearance above a building required by Rule 234C (Table 234-1)
- $V_2$  = vertical clearance
- $P$  = probe clearance 5.5m (18 ft.)
- $H$  = horizontal clearance 4.6m (15 ft.)
- $T$  = transition clearance
- $V_1$  = vertical clearance above a building required by Rule 234C (Table 234-1)
- $V_2$  = vertical clearance above land required by Rule 232C (Table 232-1 or 232-2)



Dimension  $V$  is determined by Rule 234C and Table 234-1, Row 1b(2).